



**CHARACTERISTICS**

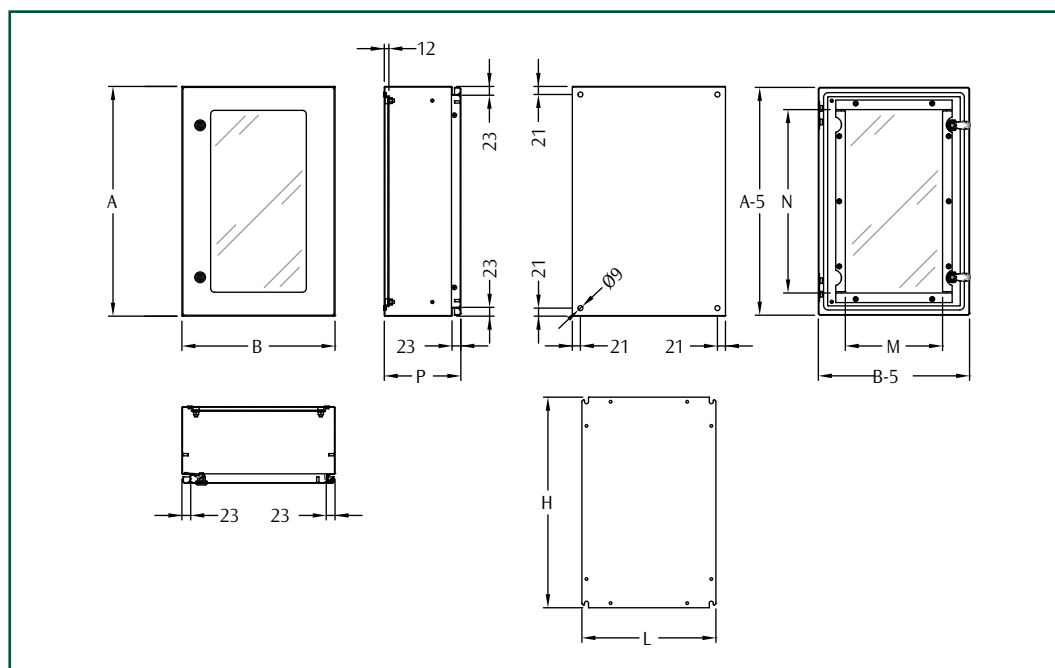
Enclosure manufactured from 1.5 mm thick pre-satinized AISI 304L stainless steel sheet (AISI 316L on request). Plexi door with formed corners, silicone seal and 4.0 mm thick plexiglass (fixed with a frame). Flat mounting plate manufactured from 2.5 mm thick sendzimir sheet steel with slots in the corners. Hinges in stainless steel.

**SUPPLY**

- Box complete with:
- mounting plate
  - door with locking system (box and insert in zinc alloy, lever in stainless steel) with Ø 3mm double bar key, and silicone seal
  - package with screws for earth connection and mounting plate.

**PROTECTION RATING**

- IP66 complying with IEC EN62208; EN62262
- NEMA 12 complying with UL508A; UL50
- protection degree guaranteed by the two-component silicone foam seal.
- impact resistance IK10 complying with IEC EN62208; EN62262.



Stainless steel

**STAINLESS STEEL BOX WITH PLEXI DOOR**

| E COR<br>CODE | BOX DIMENSIONS |      |     | DOOR SPACE |     | MOUNTING PLATE DIM. |     | NUMBER<br>OF LOCKS |
|---------------|----------------|------|-----|------------|-----|---------------------|-----|--------------------|
|               | B              | A    | P   | M          | N   | L                   | H   |                    |
| ECOR3-420PVX  | 300            | 400  | 200 | 150        | 275 | 250                 | 350 | 1                  |
| ECOR4-520PVX  | 400            | 500  | 200 | 250        | 375 | 350                 | 450 | 1                  |
| ECOR4-620PVX  | 400            | 600  | 200 | 250        | 475 | 350                 | 550 | 2                  |
| ECOR5-725PVX  | 500            | 700  | 250 | 350        | 575 | 450                 | 650 | 2                  |
| ECOR6-820PVX  | 600            | 800  | 200 | 450        | 675 | 550                 | 750 | 2                  |
| ECOR6-825PVX  | 600            | 800  | 250 | 450        | 675 | 550                 | 750 | 2                  |
| ECOR8-1030PVX | 800            | 1000 | 300 | 650        | 875 | 750                 | 950 | 2                  |

Note: to order the item in high grade AISI 316L, add the suffix "H" to the code. (i.e.: ECOR4-620PVXH).