

isolating switches

Technical characteristics

Conform to IEC EN 60947-3
 UL - cUL (USA - Canada) agreements. Class II box installed (if correct use of isolating caps supplied with box)
 IP 40 and IP 65 - IK 07
 Operating temperature: - 30 °C to + 70 °C
 Box self-extinguishing: 650 °C/ 960 °C (acc. to IEC 695-2-1)
 Degree of protection: IP 2X (at back of panel)
 IP 65 for boxes
 IP 65 for complete devices

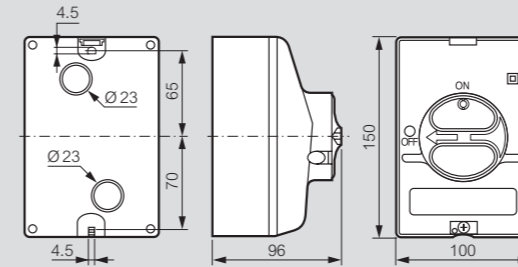
Tropical atmosphere acc. to:
 IEC 682-3 constant humid heat
 IEC 682-30 cyclical humid heat
 Padlockable devices
 General case: up to 3 padlocks Ø4 to 8 mm
 Device with 1 auxiliary contact OF: up to 3 padlocks Ø6 to 8 mm

		20 A	25 A	32 A	50 A	63 A	80 A	100 A
Rated insulation voltage Ui	V	690	690	690	690	690	690	690
Conventional free air thermal current (Ith)								
Continuous rated current Iu	A	20	25	32	50	63	80	100
Conventional enclosed thermal current Ithe	A	16	20	25	40	50	63	80
Rated impulse withstand voltage Uimp ⁽¹⁾ (kV)		4	6	6	6	6	6	6
Rated operating current (A)								
AC - 21 A / 22 A								
Conforming to IEC 60947-3	A	16	25	32	50	63	80	100
Rated operating power (kW)								
AC - 23 A								
3 x 230 V	kW	4	5.5	5.5	15	15	18.5	22
	A	14.5	20	20	50	50	63	72
3 x 400 V	kW	7.5	7.5	11	18.5	22	30	37
	A	15	15	21	35	42	57	69
3 x 500 V	kW	7.5	7.5	11	22	30	37	45
	A	12	12	17	33	45	55	65
3 x 690 V	kW	7.5	7.5	11	18.5	22	22	30
	A	9	9	12	20	24	24	33
AC - 3								
3 x 230 V	kW	3	4	4	7.5	11	15	18.5
	A	11.5	14.5	14.5	26	38	51	63
3 x 400 V	kW	4	5.5	7.5	15	18.5	22	30
	A	8	11	15	28	35	42	57
3 x 500 V	kW	5.5	5.5	7.5	15	22	30	37
	A	9	9	12	23	33	45	55
3 x 690 V	kW	5.5	5.5	7.5	15	18.5	18.5	22
	A	6	6.5	9	16.5	20	20	24
Closing/breaking characteristics:								
Rated closing capacity	Aeff/400 V	710	710	710	1270	1270	1970	1970
Rated breaking capacity	Aeff/400 V	330	330	330	800	800	800	800
Short circuit characteristics:								
Rated short term withstand current Icw	Aeff/400V/1s	300	350	430	500	760	1100	1500
Rated short circuit make capacity Icm	kA peak/400 V	1	1	1	1.8	1.8	2.8	2.8
Short circuit current	kA eff/400 V	6	10	10	10	10	10	10
With fuse gI/gG	A	16	25	32	50	63	80	100
Mechanical life AC - 20	million	1	0.1	0.1	0.04	0.04	0.04	0.04
Connection:								
Flexible + connector (max./min)	mm ²	6/0.5	6/0.75	6/0.75	16/1.5	16/1.5	35/2.5	35/2.5
Rigid	mm ²	10	10	10	25	25	50	50
Auxiliary contact electrical characteristics:								
Rated insulation voltage (Ui)	V	400	400	400	400	400	400	400
Conventional free air thermal current (Ith)								
Continuous rated current (Iu)	A	20	10	10	10	10	10	10
Rated operating current (Ie) AC - 15	230 V A	6	6	6	6	6	6	6
	400 V A	4	4	4	4	4	4	4
Protection against short circuit by fuse gG	A	16	10	10	10	10	10	10
Connection	flexible wire mm ² max	2 x 2.5	2 x 2.5	2 x 2.5	2 x 2.5	2 x 2.5	2 x 2.5	2 x 2.5

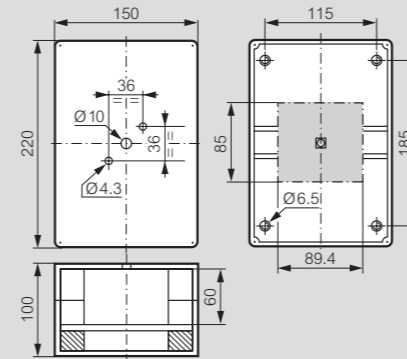
Dimensions

Proximity switching

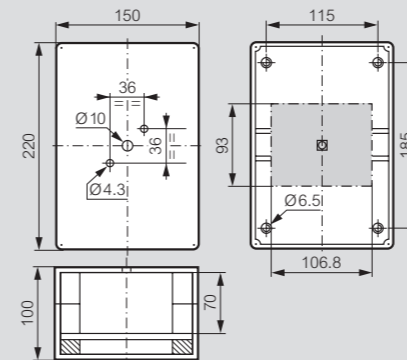
Boxes 2 x 2 knock-out entries: PG 16 or ISO 25
 Cat.Nos 0 221 71/72/73/79/81/82/83/88/89



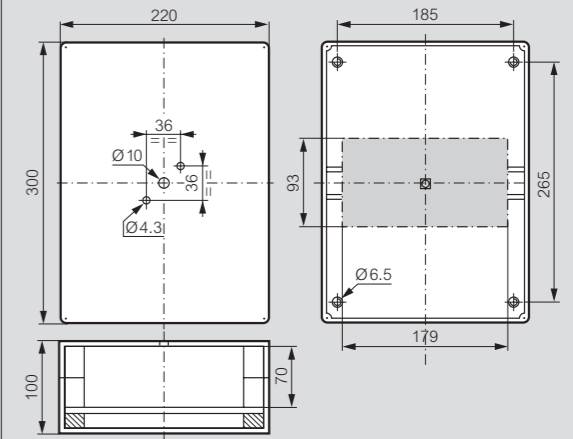
Boxes 2 x 2 knock-out entries: PG 21
 Cat.Nos 0 221 74/75/84/85



Boxes 2 x 2 knock-out entries: PG 29
 Cat.Nos 0 221 76/77



Boxes 2 x 4 knock-out entries: 2 x PG 21 and 2 x PG 29
 Cat.Nos 0 221 86/87



Auxiliary contact

Cat.No 0 227 00

