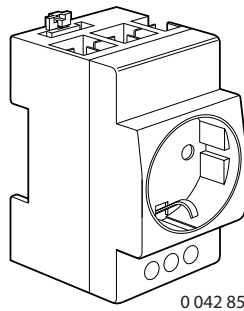


0 042 82



0 042 85

SUMMARY

Page

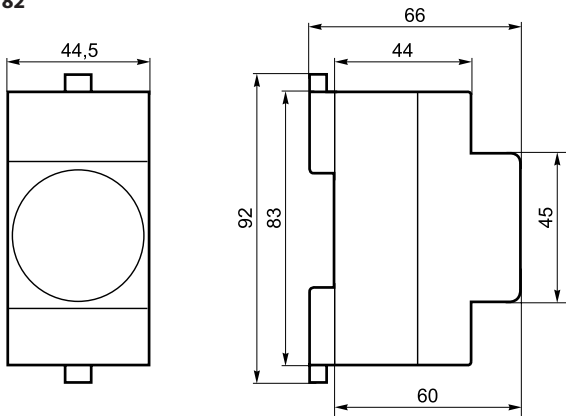
1. Range	1
2. Dimensions	1
3. Electrical characteristics	1
4. Reference standards	1
5. Mechanical characteristics	1
6. Installation	2
7. Accessories	3
8. Protection index	3

1. RANGE

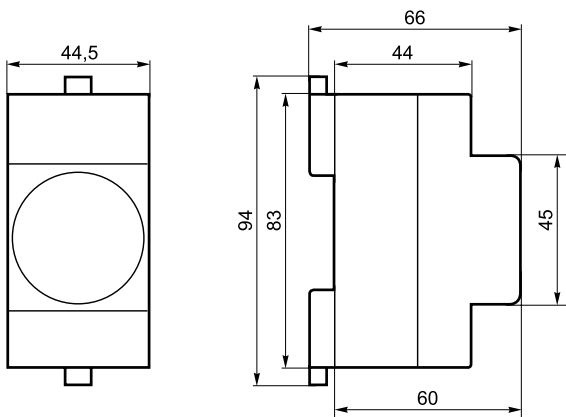
10/16 A - 250 V~
 - 2 P + E with safety shutters and tamperproof for protected or specialized circuits
 - 2 P + E German standard

2. DIMENSIONS

0 042 82



0 042 85



3. ELECTRICAL CHARACTERISTICS

- Thermal current : 10/16 A
- Rated voltage : 250 V
- Overvoltage category 1,2/50 μs : 4 kV~
- Dielectric strength : 2 kV~

4. REFERENCE STANDARDS

IEC 60884-1
 NF C 61-314

5. MECHANICAL CHARACTERISTICS

- **Environmental conditions**
 Storage temperature : - 10° C to + 70° C
 Operating temperature : - 5° C to + 40° C
- **Mechanical resistance** : IK04
- **Materials**

0 042 80/83/85

Casing	Cover	Material	Density	1,18 to 1,25
			Bending module	> 2,20 GPa
		Incandescent wire	850°C	
		Colour	Grey RAL 7035	
Casing	Base	PolyPropylene	Density	0,88 to 0,92
			Bending module	> 1,3 GPa
			Incandescent wire	960°C
		Colour	Grey RAL 7035	
Casing	Claw	PolyAmide	Density	1,11 to 1,18
			Bending module	> 3 GPa
			Incandescent wire	850°C
		Colour	White RAL 9010	
Screw	steel			
Contacts	copper			

0 042 82

Casing	Cover and base	Polycarbonate	Density	1,18 to 1,25
			Bending module	> 2,20 GPa
			Incandescent wire	750°C / 30s
	Claw	PolyAmide	Colour	Grey RAL 7035
			Density	1,11 to 1,18
			Bending module	> 3 GPa
		Incandescent wire	850°C	
		Colour	White RAL 9010	
Screw	steel			
Contacts	copper			

6. INSTALLATION

• Wiring

Conductors permitted :

Flexible with end caps 1,5 to 6 mm²
 Rigid 1,5 to 10 mm²

Tools required :

Flat blade screwdriver Ø 4 to 5,5 mm
 Posidrive screwdriver PZ1

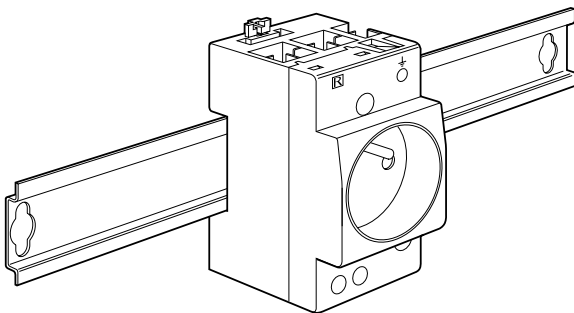
Tightening torque :

Min. 0,8 Nm
 Max. 1,8 Nm
 Recommended 1,2 Nm

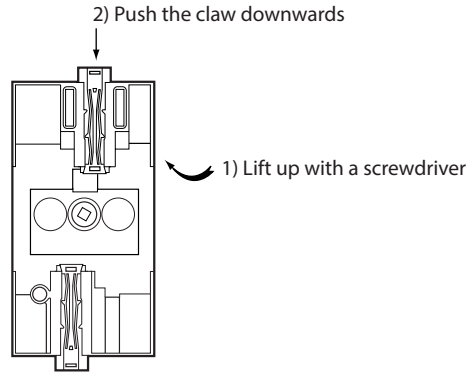
Cage terminals, with combined Posidrive, releasable and captive screws.
 Protection against direct contact : IP 2x
 Slot on the top of the socket to allow the busbar to pass through Busbar connection possible. For phase and neutral, connection from the bottom

• Mounting

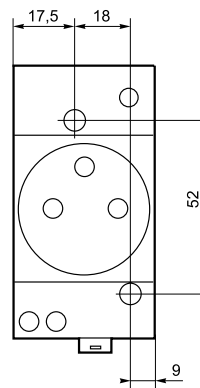
- Mounted on symmetrical rail EN 50-022



- Releasing the claws

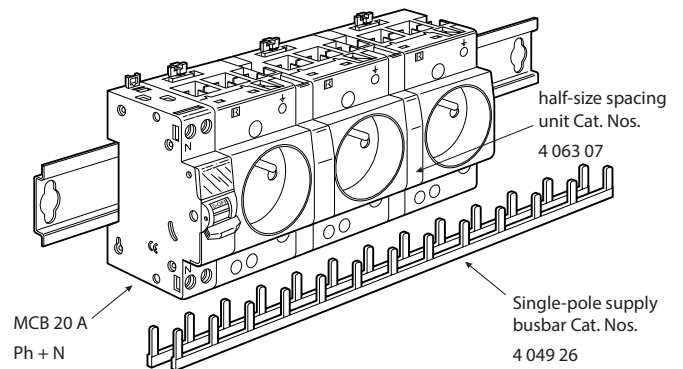


- On a plate (perforated or not) after releasing the top claw :
 0 042 82

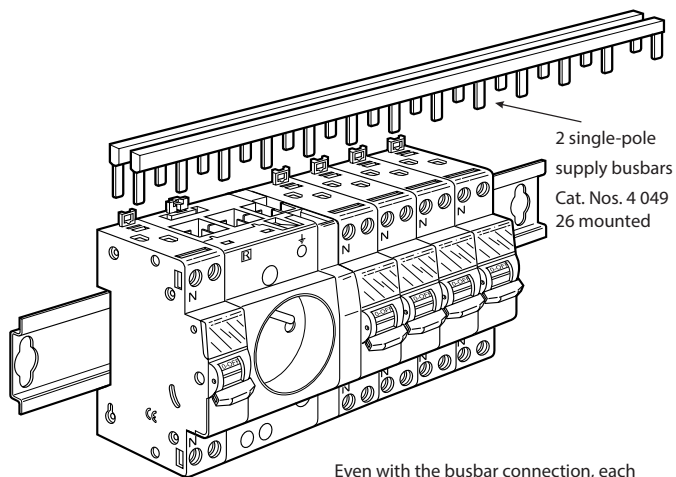


• Power supply from the bottom

- P + N - Cat. Nos. 0 042 82



- Busbar passed through and held in place



2 single-pole
supply busbars
Cat. Nos. 4 049
26 mounted

Even with the busbar connection, each
unit can be disconnected and removed
separately

7. ACCESSORIES

7.1 Wiring accessories

Prong-type supply busbar Cat. Nos. 4 049 26

7.2 Miscellaneous accessories

Spacing unit Cat. Nos. 4 063 07

Mosaic 45 grid Cat. Nos. 0 802 99 for standard Mosaic socket

8. PROTECTION INDEX

Classe II

IP 2x