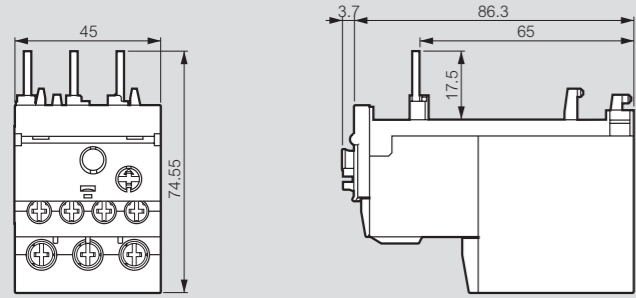


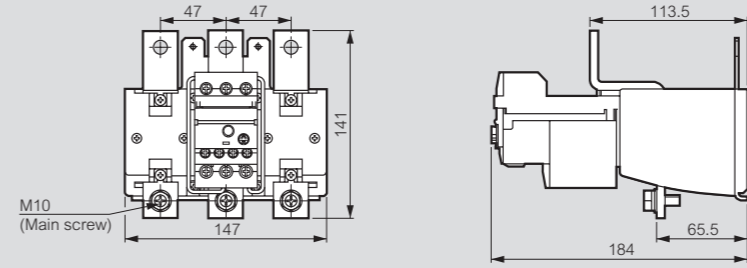
Thermal relays RTX³ - screw type terminals

dimensions

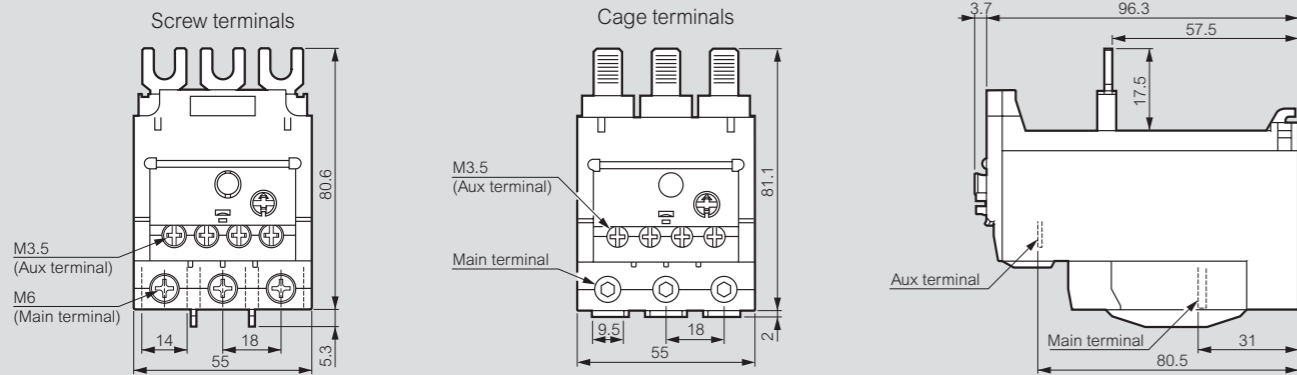
RTX³ 40



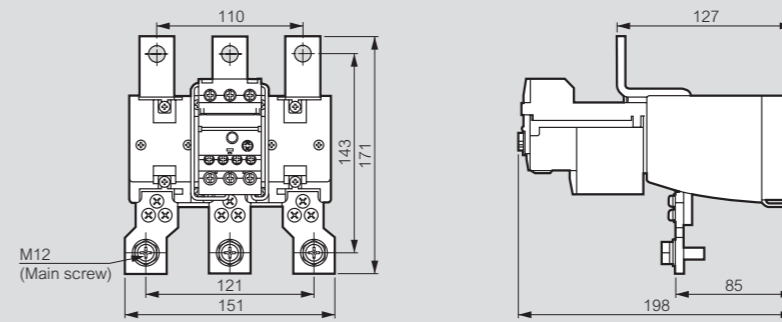
RTX³ 225



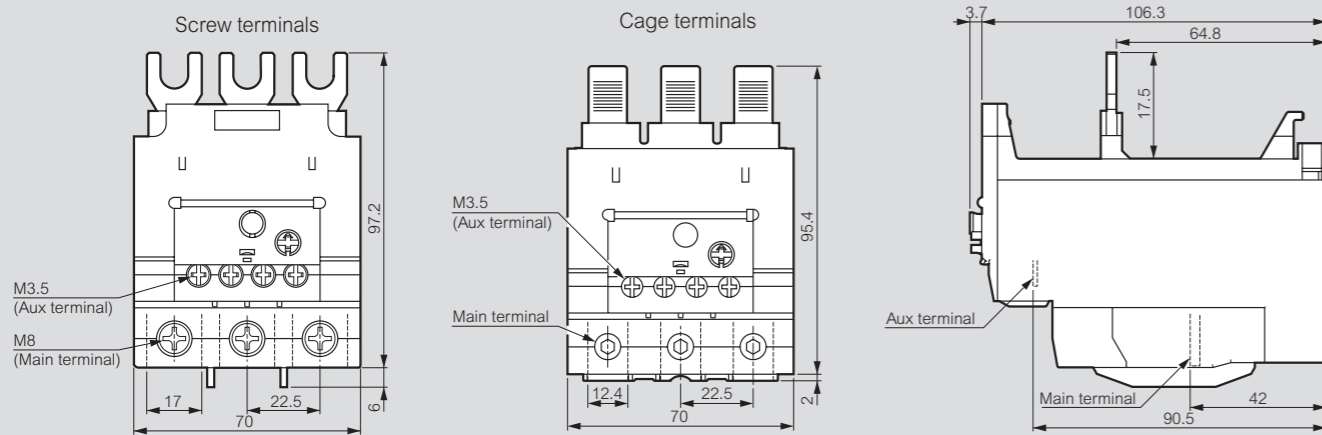
RTX³ 65



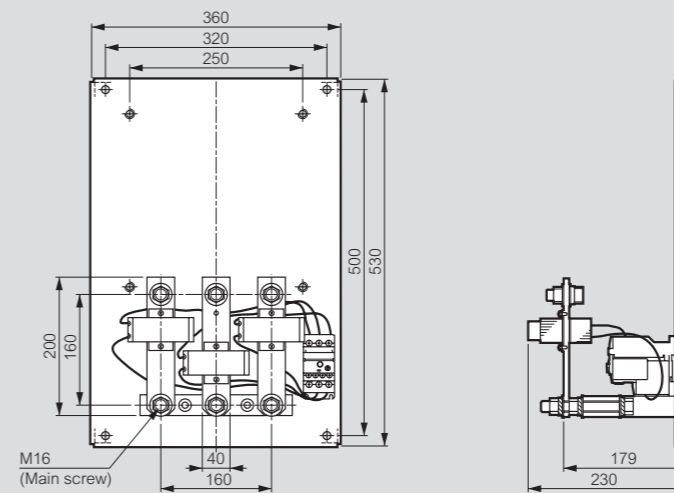
RTX³ 400



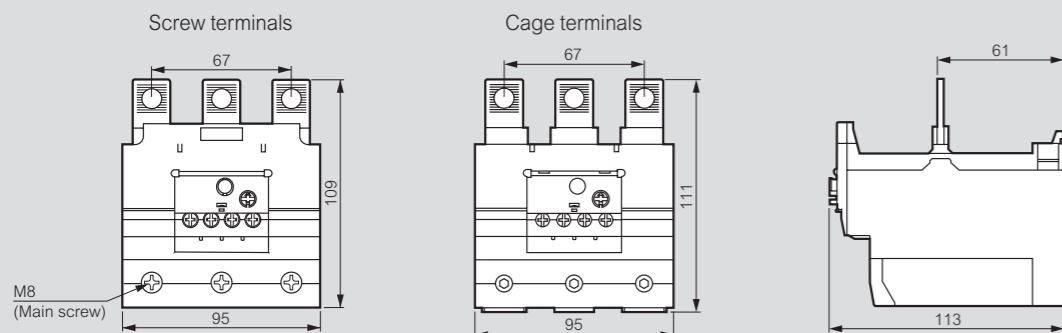
RTX³ 100



RTX³ 800



RTX³ 150

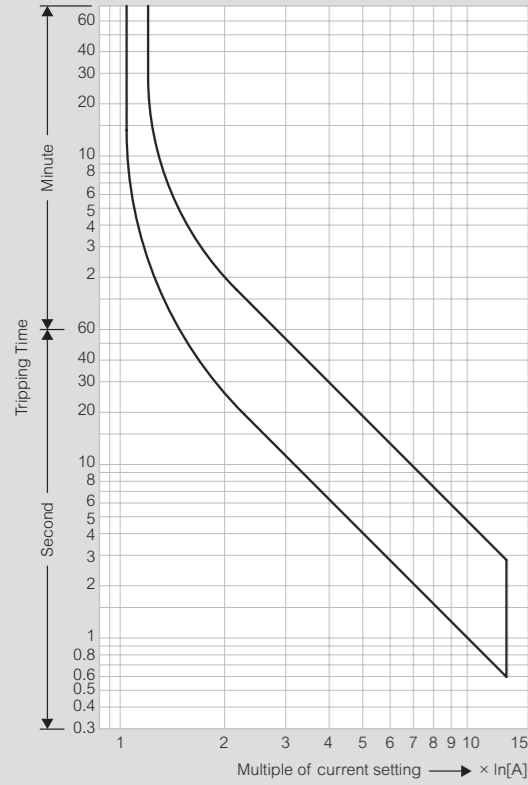


Thermal relays RTX³

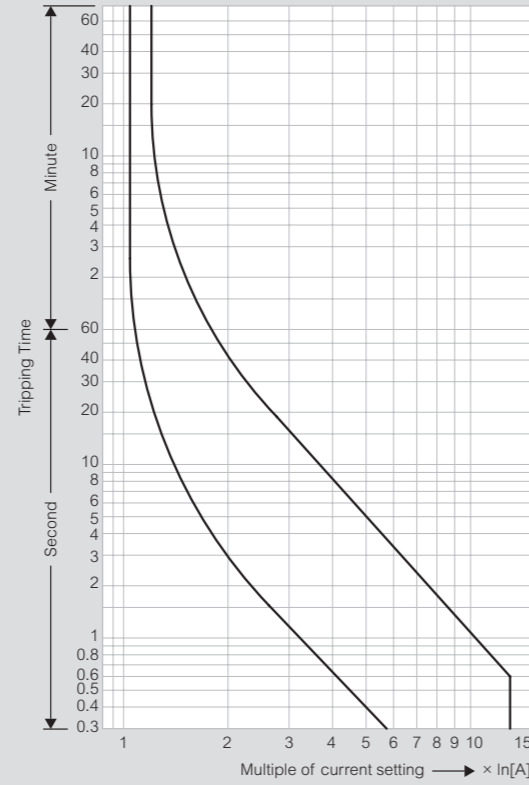
tripping curves

RTX³ 40 - class 10A

Cold starting

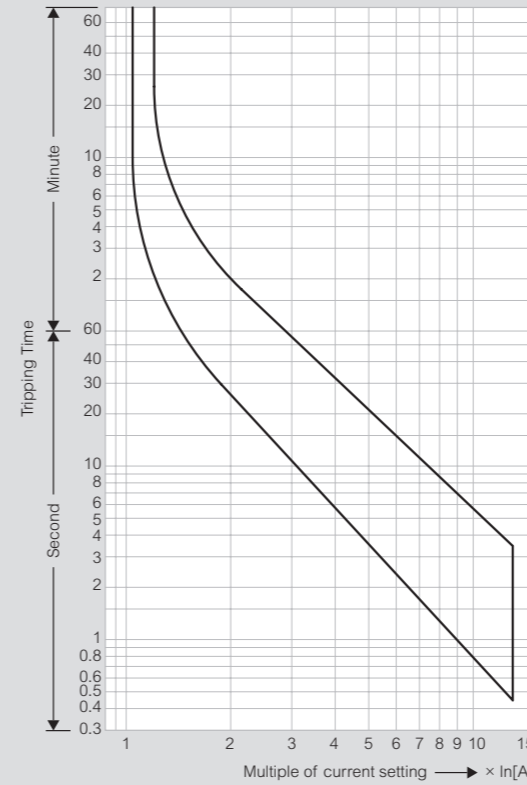


Hot starting

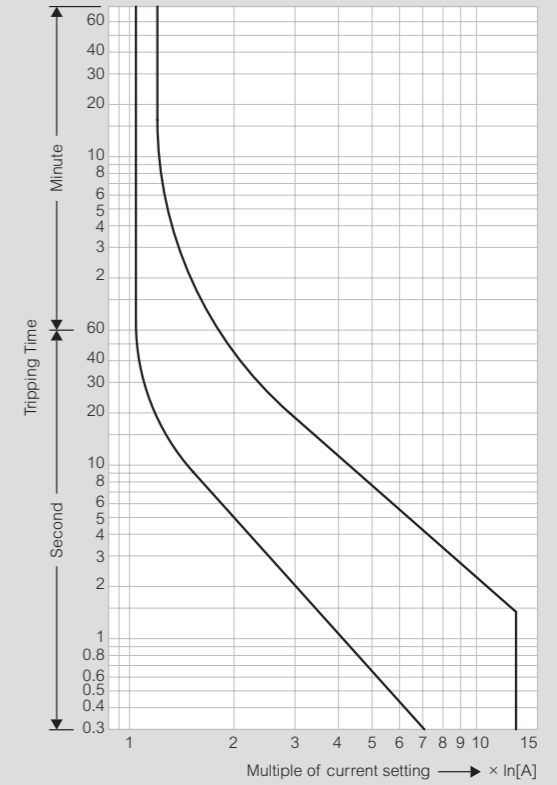


RTX³ 100 - class 10A

Cold starting

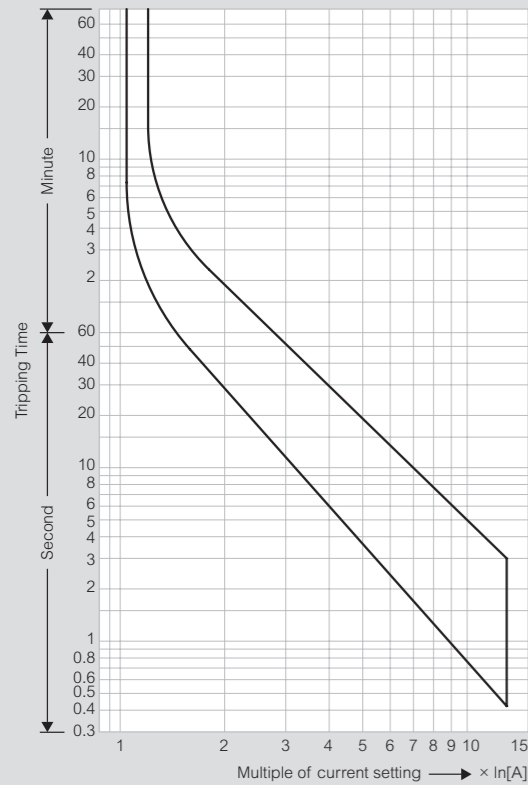


Hot starting

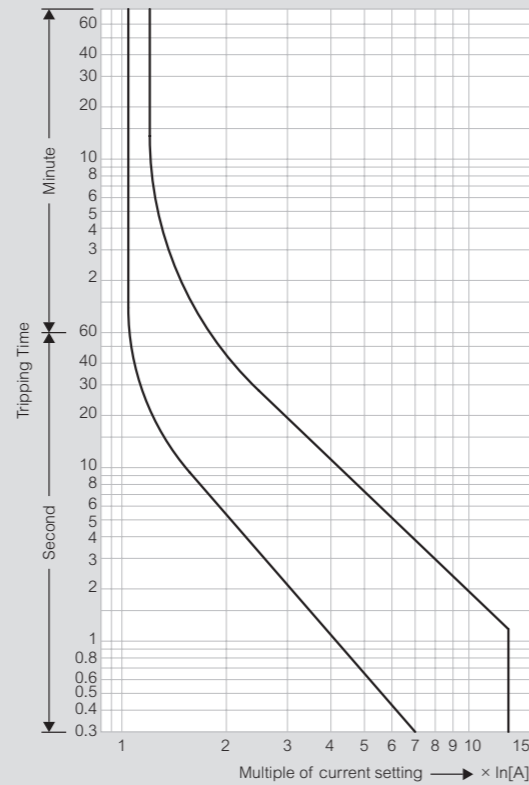


RTX³ 65 - class 10A

Cold starting

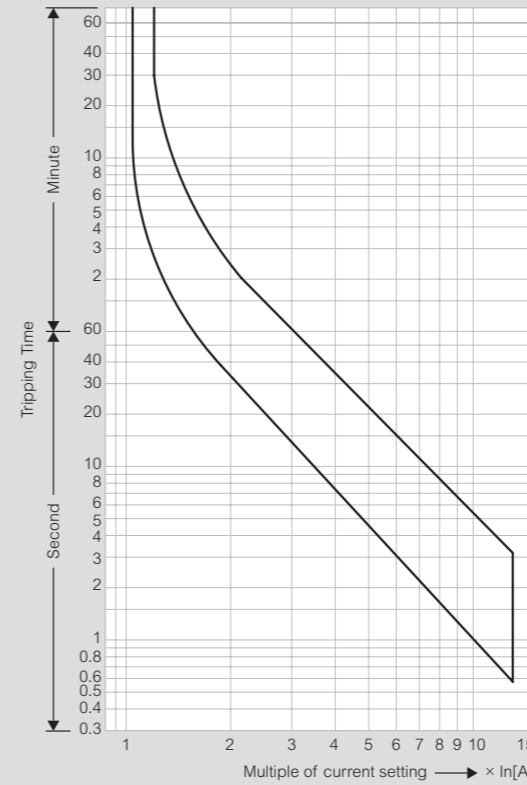


Hot starting

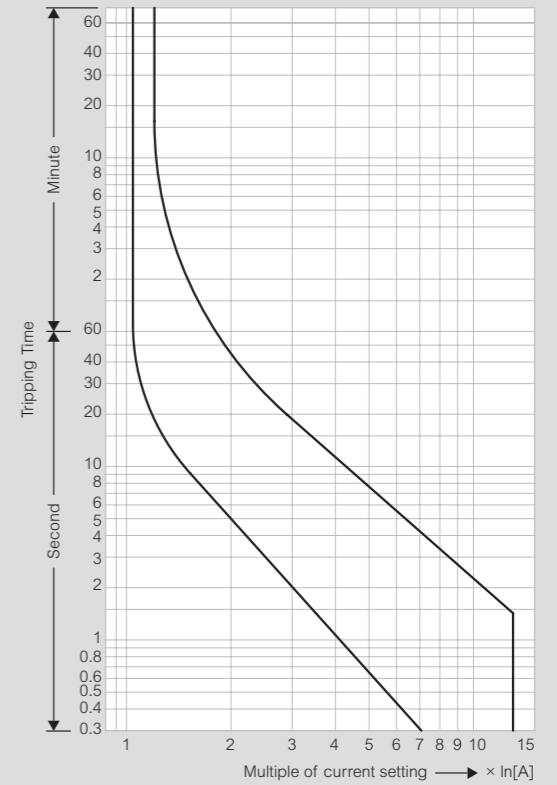


RTX³ 150 - class 10A

Cold starting



Hot starting

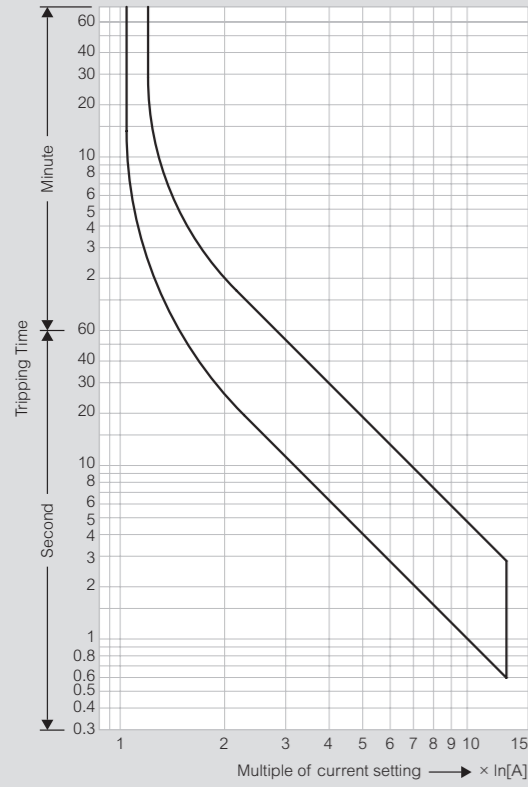


Thermal relays RTX³

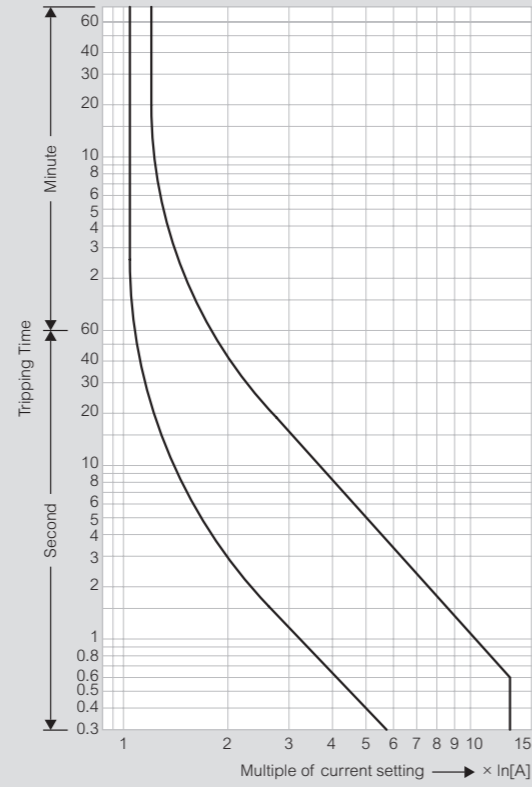
tripping curves (continued)

RTX³ 225 - class 10A

Cold starting

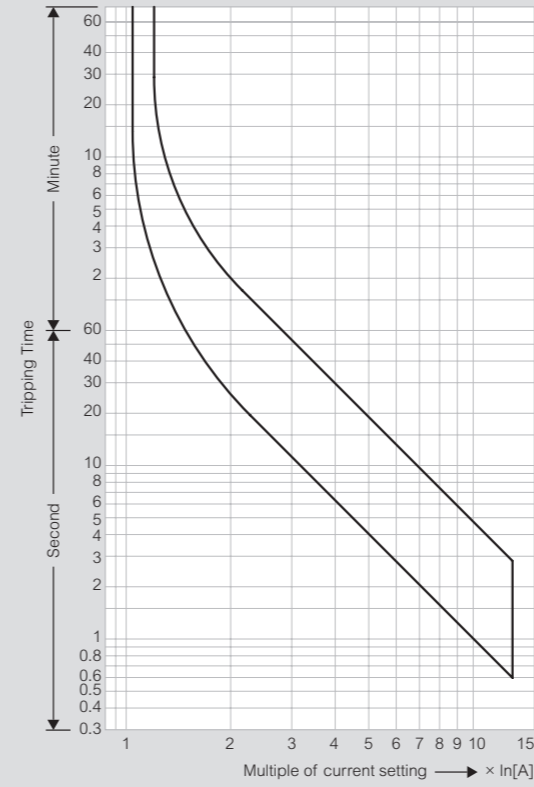


Hot starting

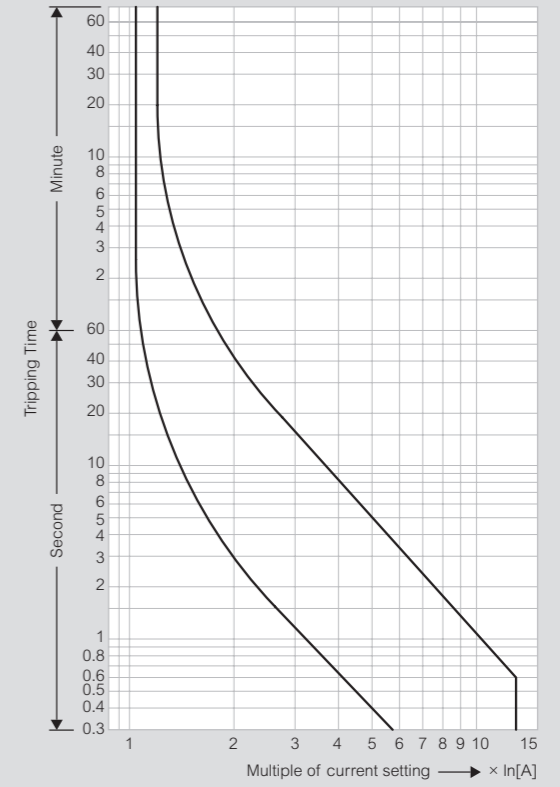


RTX³ 800 - class 10A

Cold starting

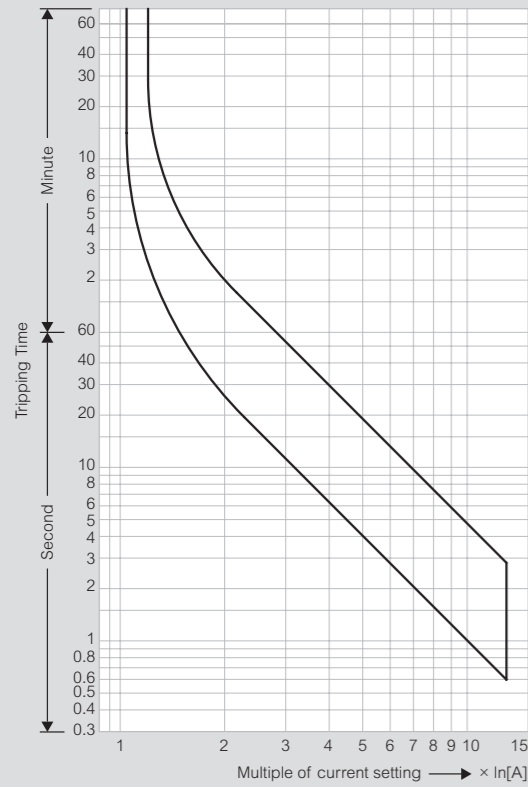


Hot starting



RTX³ 400 - class 10A

Cold starting



Hot starting

