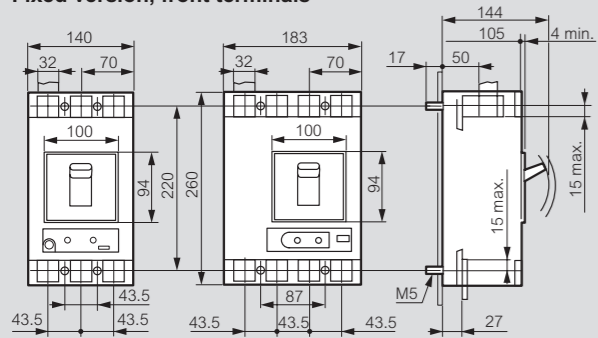


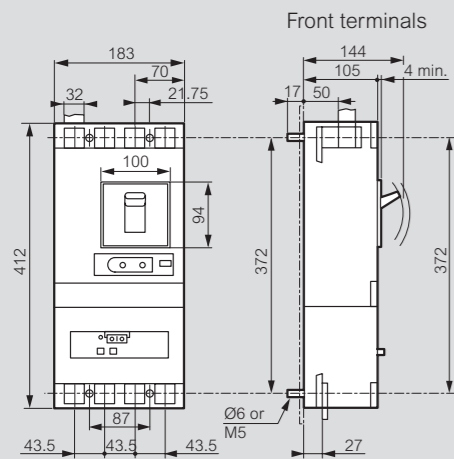
DPX<sup>3</sup> 630

■ Dimensions

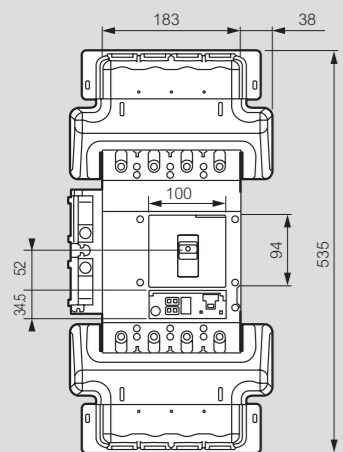
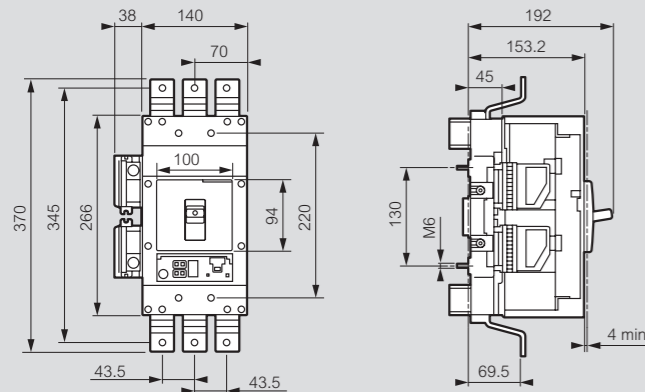
Fixed version, front terminals



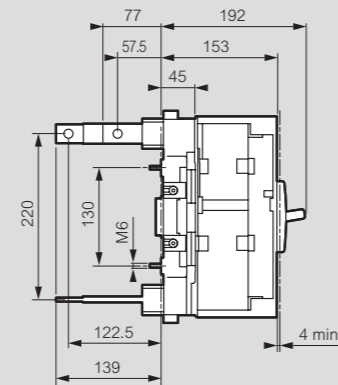
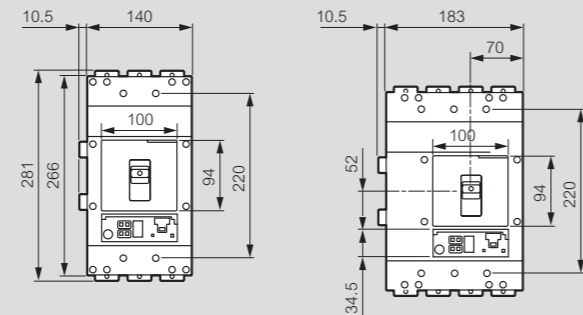
Fixed version with earth leakage module mounted underneath



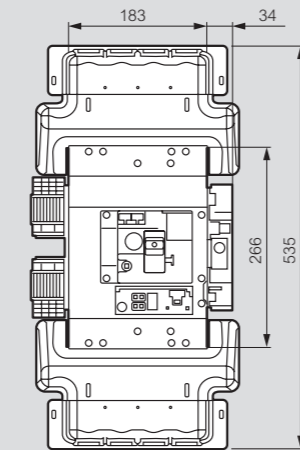
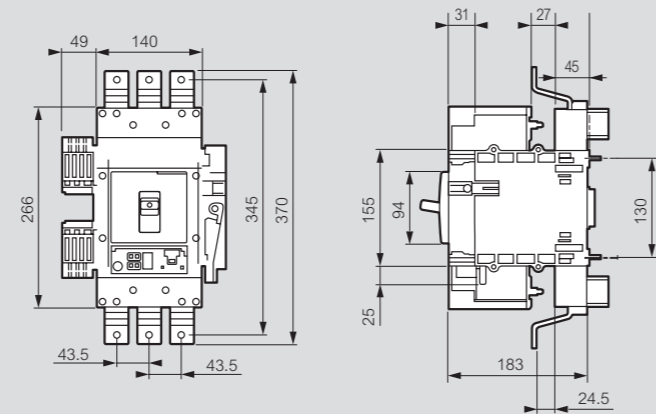
Plug-in version, front terminals



Plug-in version, rear terminals



Draw-out version, front terminals

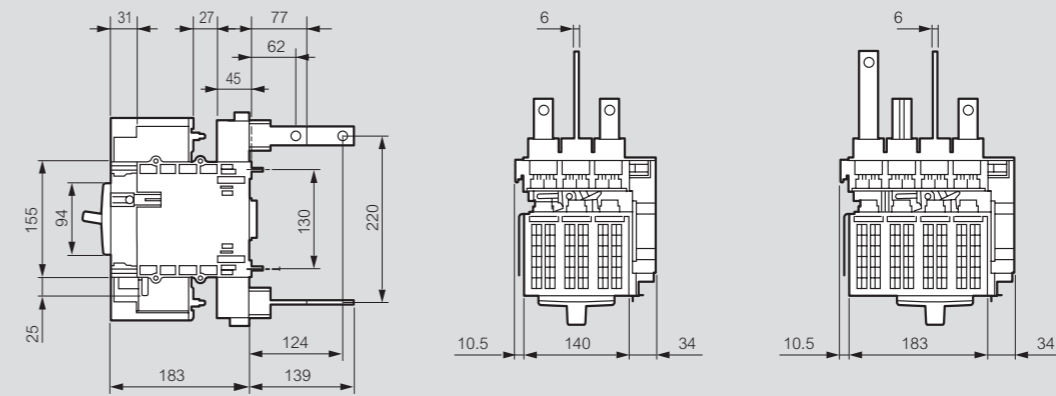


1: 75 mm without mechanical system

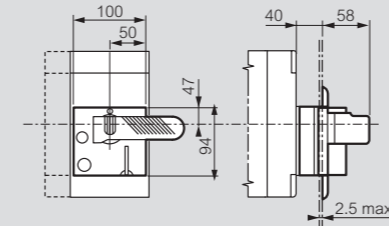
■ Dimensions (continued)

Draw-out version, rear terminals

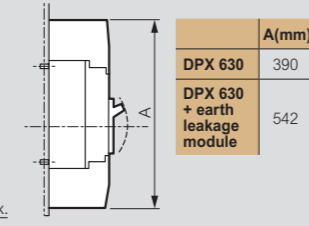
Flat rear terminal



Rotary handle-direct on DPX<sup>3</sup>



Terminal shields



	A(mm)
DPX 630	390
DPX 630 + earth leakage module	542

Rotary handle-vari-depth handle on door

Mounting with flexible seal

