

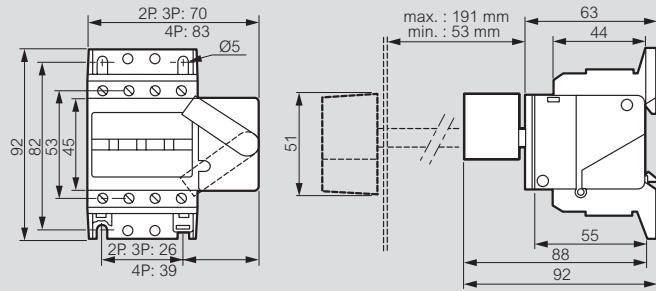
Vistop™ isolating switches

32 to 160 A

■ Dimensions

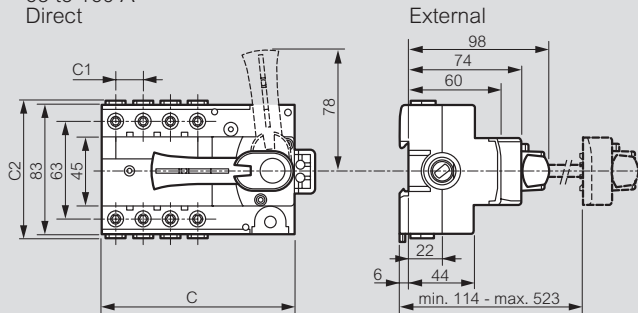
Front handle

• 32 A Cat.Nos 0 224 98 - 0 225 00/02



	2P	3P	4P
Weight (kg)	0.220	0.240	0.290

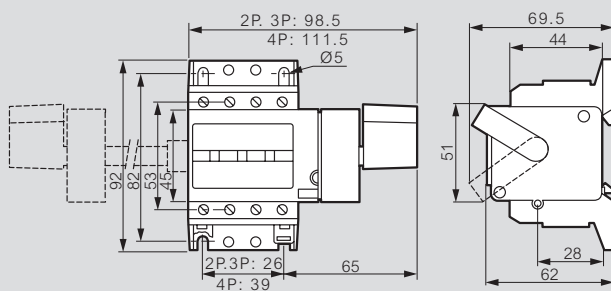
• 63 to 160 A
Direct



	Front handle		
	63 A	100 A, 125 A, 160 A	
	3P and 4P	3P	4P
C	125	133	160
C₁	17.7	26.7	
C₂	90	91	

Side handle

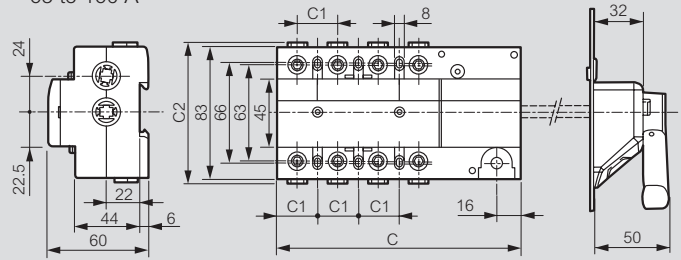
• 32 A Cat.Nos 0 225 03/05/07



	2P	3P	4P
Weight (kg)	0.300	0.320	0.370

Mounting on rail or with 4 x M5 screws

• 63 to 160 A



	External side handle		
	63 A	100 A, 125 A, 160 A	
	3P and 4P	3P	4P
C	125	133	160
C₁	17.7	26.7	
C₂	90	91	